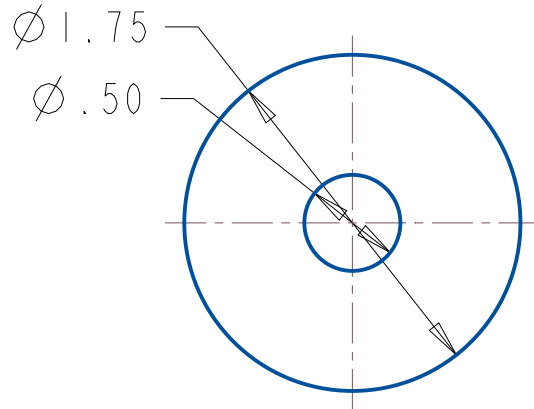


# ALB Materials Inc



UNLESS OTHERWISE SPECIFIED,  
DIMENSIONS ARE IN INCHES

**ALB Materials Inc**

TOLERANCES:  
FRACTIONAL 0.030  
ANGULAR: 0.5  
TWO PLACE DECIMAL 0.010  
THREE PLACE DECIMAL 0.002

TITLE:

**Ring/Tube Magnet**

SIZE	DWG. NO.	REV
<b>A</b>	<b>RXC88</b>	<b>0</b>

**PROPRIETARY AND CONFIDENTIAL:** THE INFORMATION CONTAINED IN THIS DRAWING IS THE SOLE PROPERTY OF ALB MATERIALS INC. ANY REPRODUCTION IN PART OR AS A WHOLE WITHOUT THE WRITTEN PERMISSION OF ALB MATERIALS INC. IS PROHIBITED.

MATERIAL  
SEE PRODUCT PAGE

SCALE: 1:1 DO NOT SCALED RAWING SHEET 1 OF 1