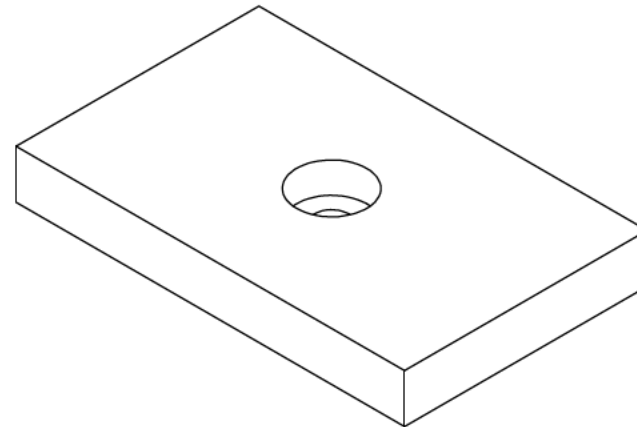


SECTION A-A



PROPRIETARY AND CONFIDENTIAL: THE INFORMATION CONTAINED IN THIS DRAWING IS THE SOLE PROPERTY OF ALB MATERIALS INC. ANY REPRODUCTION IN PART OR AS A WHOLE WITHOUT THE WRITTEN PERMISSION OF ALB MATERIALS INC IS PROHIBITED

UNLESS OTHERWISE SPECIFIED, DIMENSIONS ARE IN INCHES	
TOLERANCES: FRACTIONAL: ± 0.030 ANGULAR: ± 1° TWO PLACE DECIMAL: ± 0.004 THREE PLACE DECIMAL: ± 0.004	
MATERIAL	SEE NOTES
FINISH	SEE NOTES

ALB Materials Inc			
TITLE: RUBBER MOUNTING BLOCK			
SIZE	DWG. NO.	REV	
A	RMB-B-Y0	1	
SCALE	DO NOT SCALE DRAWING	SHEET 1 OF 1	