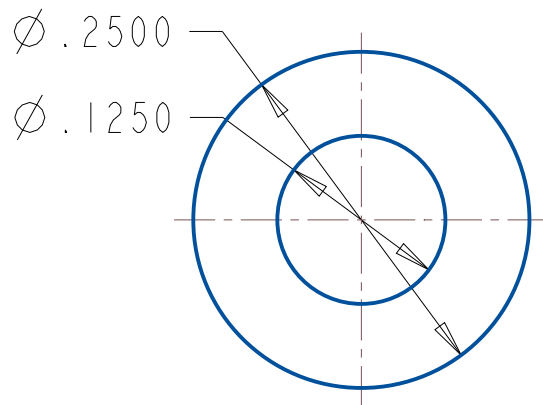


ALB Materials Inc



UNLESS OTHERWISE SPECIFIED,
DIMENSIONS ARE IN INCHES

ALB Materials Inc

TOLERANCES:
FRACTIONAL 0.030
ANGULAR: 0.5
TWO PLACE DECIMAL 0.010
THREE PLACE DECIMAL 0.002

TITLE:

Ring/Tube Magnet

SIZE	DWG. NO.	REV
A	R422	0

PROPRIETARY AND CONFIDENTIAL: THE INFORMATION CONTAINED IN THIS DRAWING IS THE SOLE PROPERTY OF ALB MATERIALS INC. ANY REPRODUCTION IN PART OR AS A WHOLE WITHOUT THE WRITTEN PERMISSION OF ALB MATERIALS INC. IS PROHIBITED.

MATERIAL
SEE PRODUCT PAGE

SCALE: 7:1	DO NOT SCALED RAWING	SHEET 1 OF 1
------------	-------------------------	--------------

5

4

3

2

1