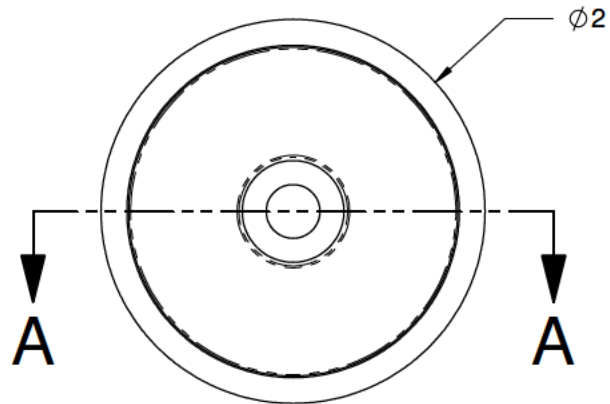
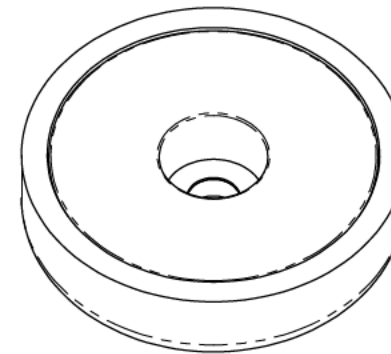


SECTION A-A



UNLESS OTHERWISE SPECIFIED,
DIMENSIONS ARE IN INCHES

TOLERANCES:
FRACTIONAL: ± 0.030
ANGULAR: ± 1°
TWO PLACE DECIMAL: ± 0.010
THREE PLACE DECIMAL: ± 0.005

ALB Materials Inc

TITLE: **MOUNTING MAGNET,
STAINLESS STEEL,
2" DIAMETER**

SIZE	DWG. NO.	REV
A	MMWR-B-Y0	0

PROPRIETARY AND CONFIDENTIAL: THE INFORMATION CONTAINED IN THIS DRAWING IS THE SOLE PROPERTY OF ALB MATERIALS INC ANY REPRODUCTION IN PART OR AS A WHOLE WITHOUT THE WRITTEN PERMISSION OF ALB MATERIALS INC IS PROHIBITED.

MATERIAL	SEE NOTES	SCALE 1:1	DO NOT SCALE DRAWING	SHEET 1 OF 1
FINISH	SEE NOTES			