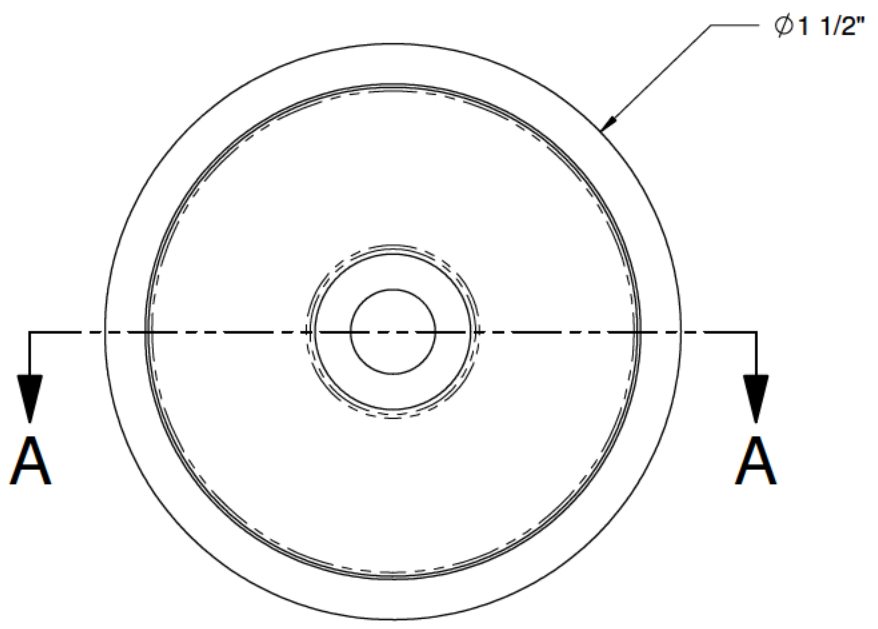
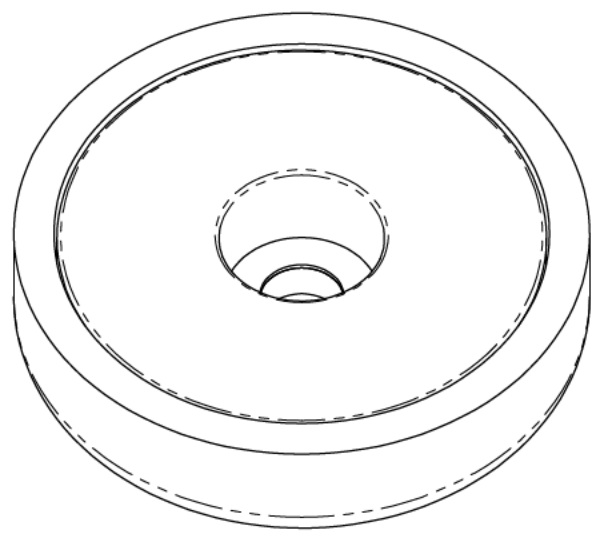


SECTION A-A



UNLESS OTHERWISE SPECIFIED,  
DIMENSIONS ARE IN INCHES

TOLERANCES:  
FRACTIONAL: ± 0.030  
ANGULAR: ± 1°  
TWO PLACE DECIMAL: ± 0.010  
THREE PLACE DECIMAL: ± 0.005

MATERIAL SEE NOTES  
FINISH SEE NOTES

ALB Materials Inc		
TITLE: MOUNTING MAGNET, STAINLESS STEEL, 1 1/2" DIAMETER		
SIZE	DWG. NO.	REV
<b>A</b>	<b>MMWR-B-X8</b>	<b>0</b>
SCALE 1:1	DO NOT SCALE DRAWING	SHEET 1 OF 1

PROPRIETARY AND CONFIDENTIAL: THE INFORMATION CONTAINED IN THIS DRAWING IS THE SOLE PROPERTY OF ALB MATERIALS INC ANY REPRODUCTION IN PART OR AS A WHOLE WITHOUT THE WRITTEN PERMISSION OF ALB MATERIALS INC IS PROHIBITED.