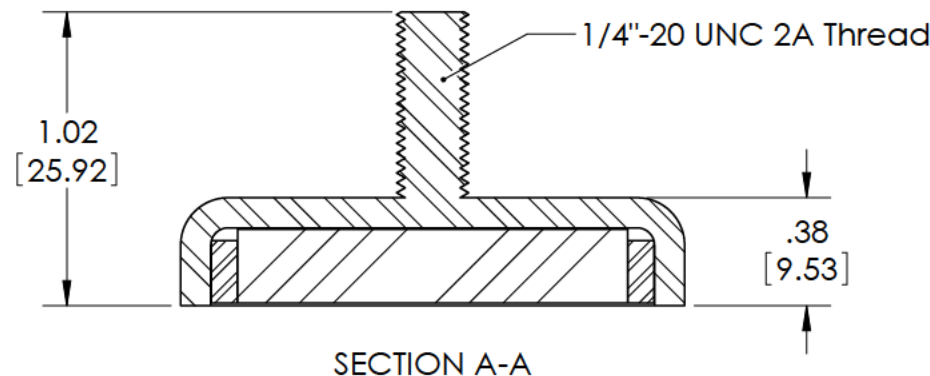
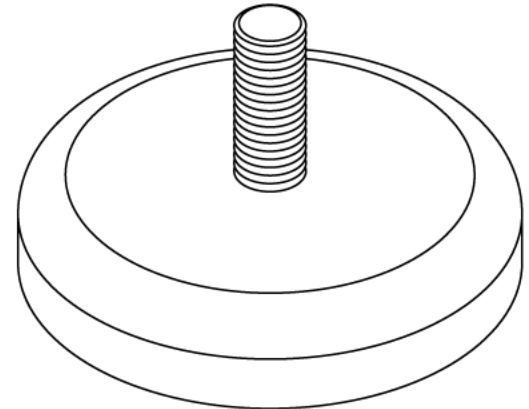


$\phi 1.75$
 [44.45]



SECTION A-A

PROPRIETARY AND CONFIDENTIAL THE INFORMATION CONTAINED IN THIS DRAWING IS THE SOLE PROPERTY OF ALB MATERIALS INC
 ANY REPRODUCTION IN PART OR AS A WHOLE WITHOUT THE WRITTEN PERMISSION OF ALB MATERIALS INC IS PROHIBITED.

DIMENSIONS SHOWN AS: inches [millimeters]		ALB Materials Inc	
TOLERANCES: FRACTIONAL: ± 0.030 ANGULAR: $\pm 0.5^\circ$ TWO PLACE DECIMAL: ± 0.010 THREE PLACE DECIMAL: ± 0.005		TITLE: MOUNTING MAGNET STYLE C	
MATERIAL: SEE PRODUCT PAGE	SIZE: A	DWG. NO.: MMS-C-XC	REV: 0
FINISH: SEE PRODUCT PAGE	SCALE: 3:2	DO NOT SCALE DRAWING	SHEET 1 OF 1