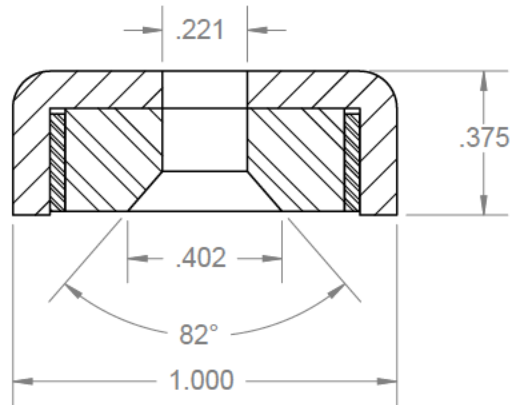


SECTION A-A
SCALE 2 : 1



PROPRIETARY AND CONFIDENTIAL: THE INFORMATION CONTAINED IN THIS DRAWING IS THE SOLE PROPERTY OF ALB MATERIALS INC. ANY REPRODUCTION IN PART OR AS A WHOLE WITHOUT THE WRITTEN PERMISSION OF ALB MATERIALS INC IS PROHIBITED

UNLESS OTHERWISE SPECIFIED,
DIMENSIONS ARE IN INCHES

TOLERANCES:
FRACTIONAL ± 0.030
ANGULAR: $\pm 1^\circ$
TWO PLACE DECIMAL ± 0.004
THREE PLACE DECIMAL ± 0.004

MATERIAL SEE CHART

FINISH SEE NOTES

ALB Materials Inc

TITLE:

BLOCK MOUNTING MAGNET

SIZE DWG. NO.

A **MMR-A-ZC**

REV

0

SCALE: 1:1

DO NOT
SCALE DRAWING

SHEET 1 OF 1