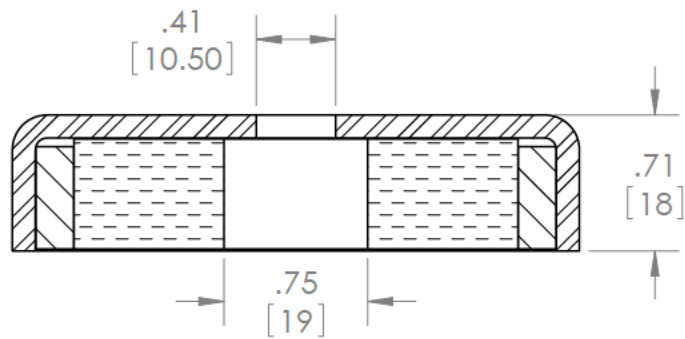
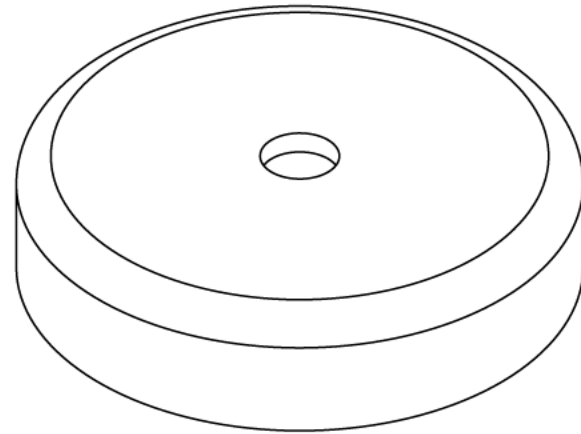


Ø2.95  
[75]



SECTION A-A

DIMENSIONS SHOWN AS:		ALB Materials Inc	
inches [millimeters]		TITLE:	
TOLERANCES: FRACTIONAL ± 0.030 ANGULAR: ± 0.5° TWO PLACE DECIMAL ± 0.010 THREE PLACE DECIMAL ± 0.005		MOUNTING MAGNET STYLE B	
MATERIAL	SEE PRODUCT PAGE	SIZE	DWG. NO.
FINISH	SEE PRODUCT PAGE	<b>A</b>	<b>MM-B-75</b>
			REV
			<b>0</b>
		SCALE: 1:1	DO NOT SCALE DRAWING
			SHEET 1 OF 1

PROPRIETARY AND CONFIDENTIAL: THE INFORMATION CONTAINED IN THIS DRAWING IS THE SOLE PROPERTY OF ALB MATERIALS INC. ANY REPRODUCTION IN PART OR AS A WHOLE WITHOUT THE WRITTEN PERMISSION OF ALB MATERIALS INC IS PROHIBITED