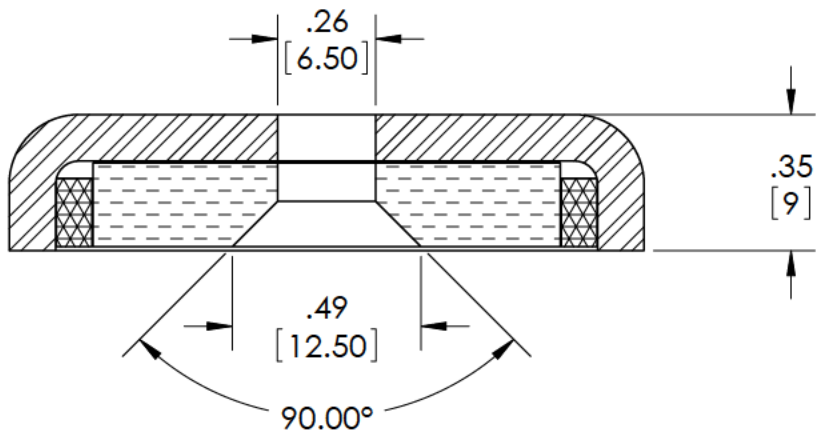
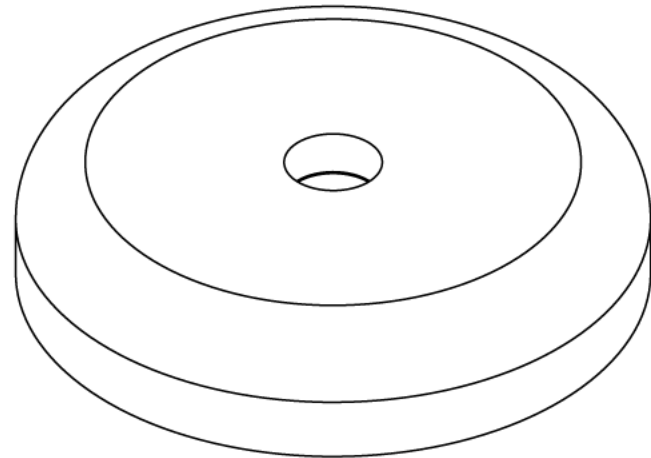


Ø 1.65  
[42]



SECTION A-A

DIMENSIONS SHOWN AS: inches [millimeters]		ALB Materials Inc	
TOLERANCES: FRACTIONAL: ± 0.030 ANGULAR: ± 0.5° TWO PLACE DECIMAL: ± 0.010 THREE PLACE DECIMAL: ± 0.005		TITLE: MOUNTING MAGNET STYLE A	
MATERIAL: SEE PRODUCT PAGE	SIZE: <b>A</b>	DWG. NO.: <b>MM-A-42</b>	REV: <b>0</b>
FINISH: SEE PRODUCT PAGE	SCALE: 2:1	DO NOT SCALE DRAWING	SHEET 1 OF 1

PROPRIETARY AND CONFIDENTIAL: THE INFORMATION CONTAINED IN THIS DRAWING IS THE SOLE PROPERTY OF ALB MATERIALS, INC. ANY REPRODUCTION IN PART OR AS A WHOLE WITHOUT THE WRITTEN PERMISSION OF ALB MATERIALS, INC. IS PROHIBITED