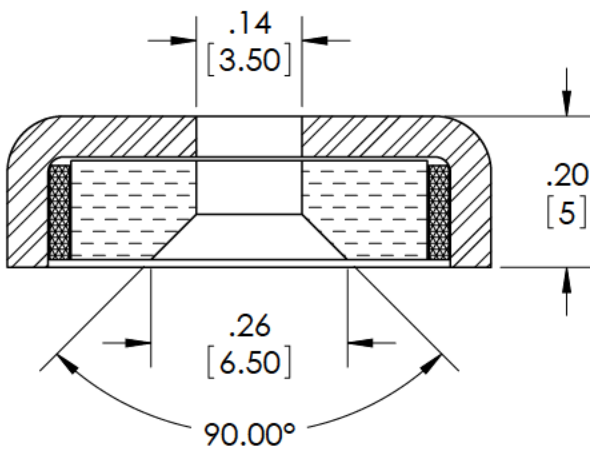
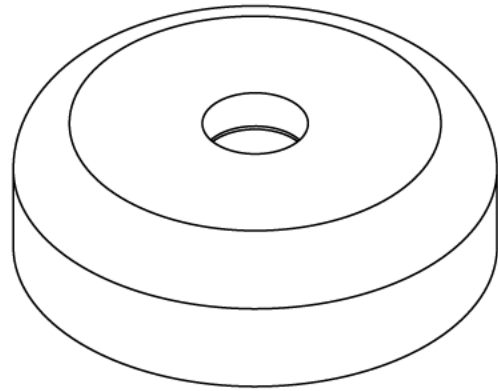


Ø.63
[16]



SECTION A-A

PROPRIETARY AND CONFIDENTIAL: THE INFORMATION CONTAINED IN THIS DRAWING IS THE SOLE PROPERTY OF ALB MATERIALS, INC. ANY REPRODUCTION IN PART OR AS A WHOLE WITHOUT THE WRITTEN PERMISSION OF ALB MATERIALS, INC. IS PROHIBITED.

DIMENSIONS SHOWN AS: inches [millimeters]		ALB Materials Inc	
TOLERANCES: FRACTIONAL: ± 0.030 ANGULAR: ± 0.5° TWO PLACE DECIMAL: ± 0.010 THREE PLACE DECIMAL: ± 0.005		TITLE: MOUNTING MAGNET STYLE A	
MATERIAL: SEE PRODUCT PAGE	FINISH: SEE PRODUCT PAGE	SIZE: A	DWG. NO.: MM-A-16
SCALE: 4:1		DO NOT SCALE DRAWING	REV: 0
SHEET 1 OF 1		1	