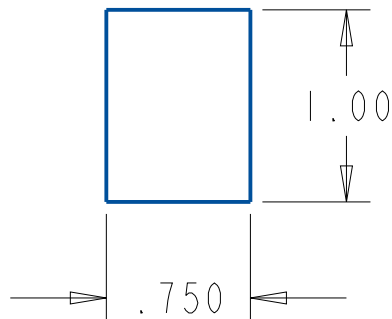


ALB Materials Inc



UNLESS OTHERWISE SPECIFIED,
DIMENSIONS ARE IN INCHES

TOLERANCES:
FRACTIONAL 0.030
ANGULAR: 0.5
TWO PLACE DECIMAL 0.010
THREE PLACE DECIMAL 0.002

MATERIAL
SEE PRODUCT PAGE

ALB Materials Inc

TITLE:
Block/Bar/Cube Magnet

| | | |
|----------|---------------|----------|
| SIZE | DWG. NO. | REV |
| A | BX0CX0 | 0 |

| | | |
|------------|-------------------------|--------------|
| SCALE: 1:1 | DO NOT SCALED RAWING | SHEET 1 OF 1 |
|------------|-------------------------|--------------|

PROPRIETARY AND CONFIDENTIAL: THE INFORMATION CONTAINED IN THIS DRAWING IS THE SOLE PROPERTY OF ALB MATERIALS INC. ANY REPRODUCTION IN PART OR AS A WHOLE WITHOUT THE WRITTEN PERMISSION OF ALB MATERIALS INC. IS PROHIBITED.

5

4

3

2

1