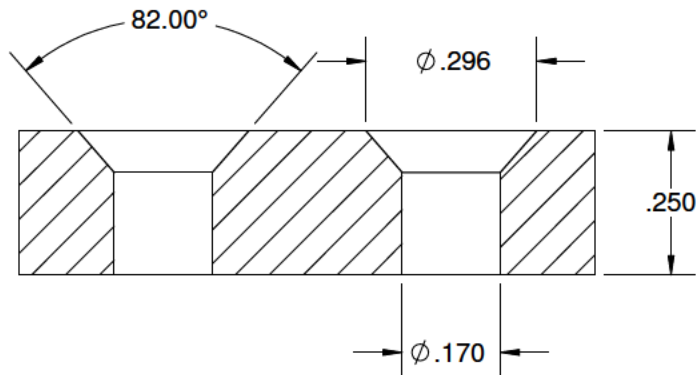
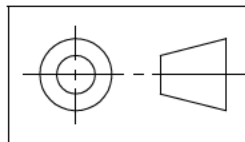


DIMPLE ON NORTH POLE



SECTION A-A



UNLESS OTHERWISE SPECIFIED,
DIMENSIONS ARE IN INCHES

TOLERANCES:
FRACTIONAL: ± 0.030
ANGULAR: $\pm 1^\circ$
TWO PLACE DECIMAL: ± 0.004
THREE PLACE DECIMAL: ± 0.004

MATERIAL SEE NOTES

FINISH SEE NOTES

ALB Materials Inc

TITLE:
MAGNET, BLOCK

SIZE A	DWG. NO. BX048CS	REV 1
------------------	----------------------------	-----------------

PROPRIETARY AND CONFIDENTIAL: THE INFORMATION CONTAINED IN THIS DRAWING IS THE SOLE PROPERTY OF ALB MATERIALS INC. ANY REPRODUCTION IN PART OR AS A WHOLE WITHOUT THE WRITTEN PERMISSION OF ALB MATERIALS INC IS PROHIBITED

SCALE DO NOT SCALE DRAWING SHEET 1 OF 1