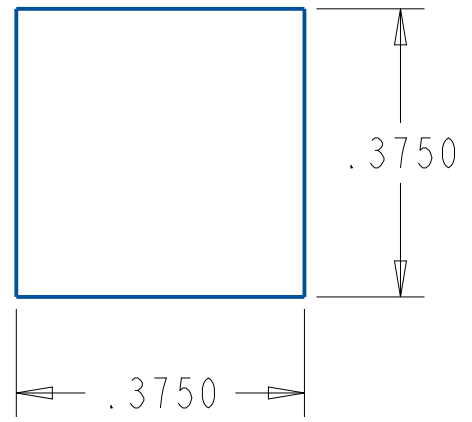




# ALB Materials Inc



UNLESS OTHERWISE SPECIFIED,  
DIMENSIONS ARE IN INCHES

TOLERANCES:  
FRACTIONAL 0.030  
ANGULAR: 0.5  
TWO PLACE DECIMAL 0.010  
THREE PLACE DECIMAL 0.002

MATERIAL  
SEE PRODUCT PAGE

ALB Materials Inc

TITLE:  
**Block/Bar/Cube Magnet**

SIZE	DWG. NO.	REV
<b>A</b>	<b>B663</b>	<b>0</b>

SCALE: 4:1	DO NOT SCALED RAWING	SHEET 1 OF 1
------------	-------------------------	--------------

**PROPRIETARY AND CONFIDENTIAL:** THE INFORMATION CONTAINED IN THIS DRAWING IS THE SOLE PROPERTY OF ALB MATERIALS INC. ANY REPRODUCTION IN PART OR AS A WHOLE WITHOUT THE WRITTEN PERMISSION OF ALB MATERIALS INC. IS PROHIBITED.