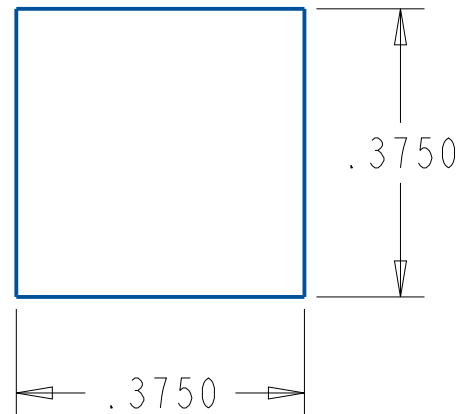


ALB Materials Inc



UNLESS OTHERWISE SPECIFIED, DIMENSIONS ARE IN INCHES		ALB Materials Inc	
TOLERANCES: FRACTIONAL 0.030 ANGULAR: 0.5 TWO PLACE DECIMAL 0.010 THREE PLACE DECIMAL 0.002		TITLE: Block/Bar/Cube Magnet	
		SIZE A	DWG. NO. B662
MATERIAL SEE PRODUCT PAGE		SCALE: 4:1	DO NOT SCALED RAWING SHEET 1 OF 1

PROPRIETARY AND CONFIDENTIAL: THE INFORMATION CONTAINED IN THIS DRAWING IS THE SOLE PROPERTY OF ALB MATERIALS INC. ANY REPRODUCTION IN PART OR AS A WHOLE WITHOUT THE WRITTEN PERMISSION OF ALB MATERIALS INC. IS PROHIBITED.